

4

3

2

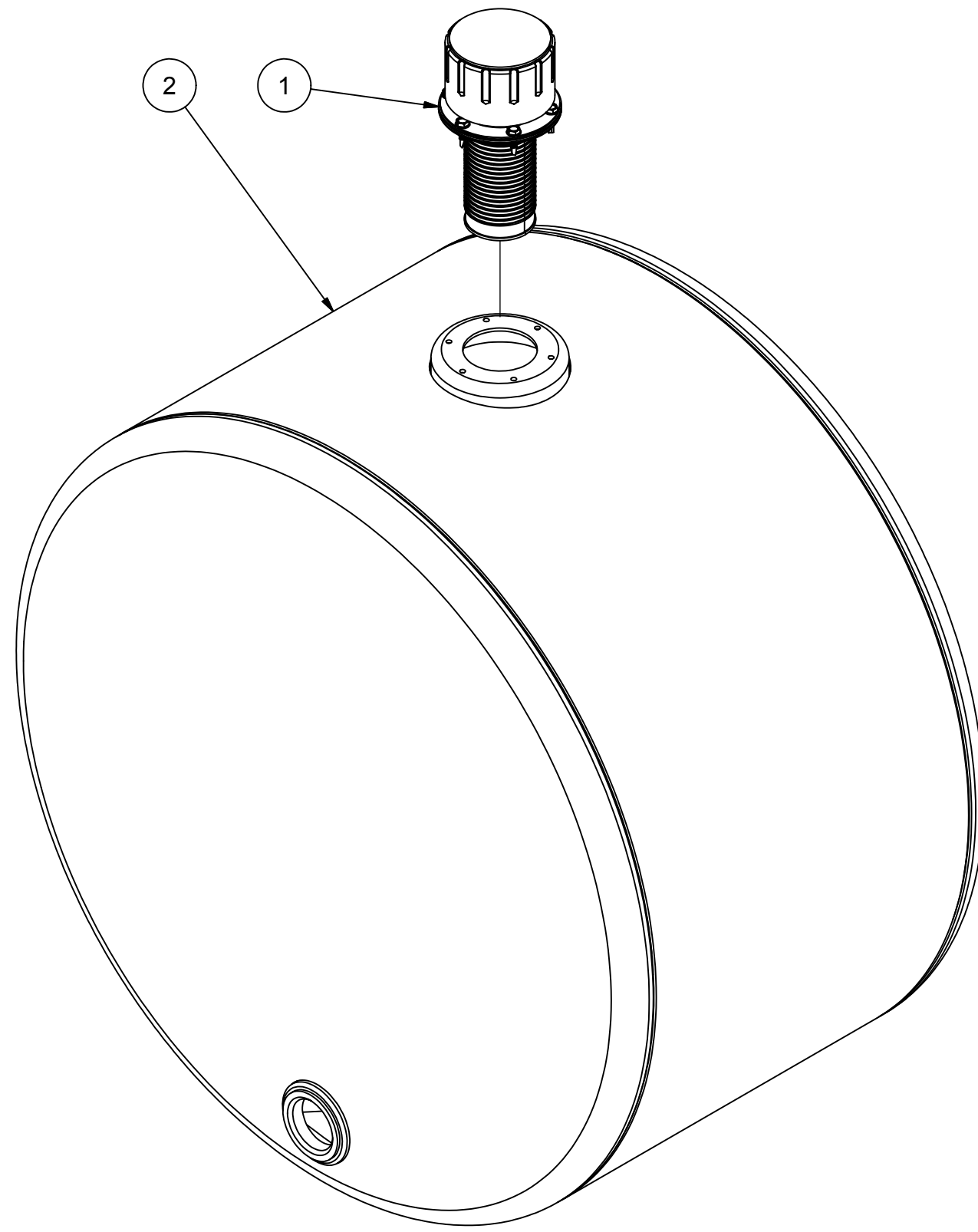
1

Parts List

ITEM	QTY	PART NUMBER	DESCRIPTION
1	1	57XL-40N	40 MICRON FILL W/NYLON STRAINER
2	1	N_A4525	NAM ASSEMBLY 22 3/4 lbs

AMP PARTS INCLUDE:
 -AMK-624-C MOUNTING KIT
 -1 1/4" PORT PLUG

NOTE:
 -PLUG ALL PORTS FOR SHIPMENT



B

B

A

A

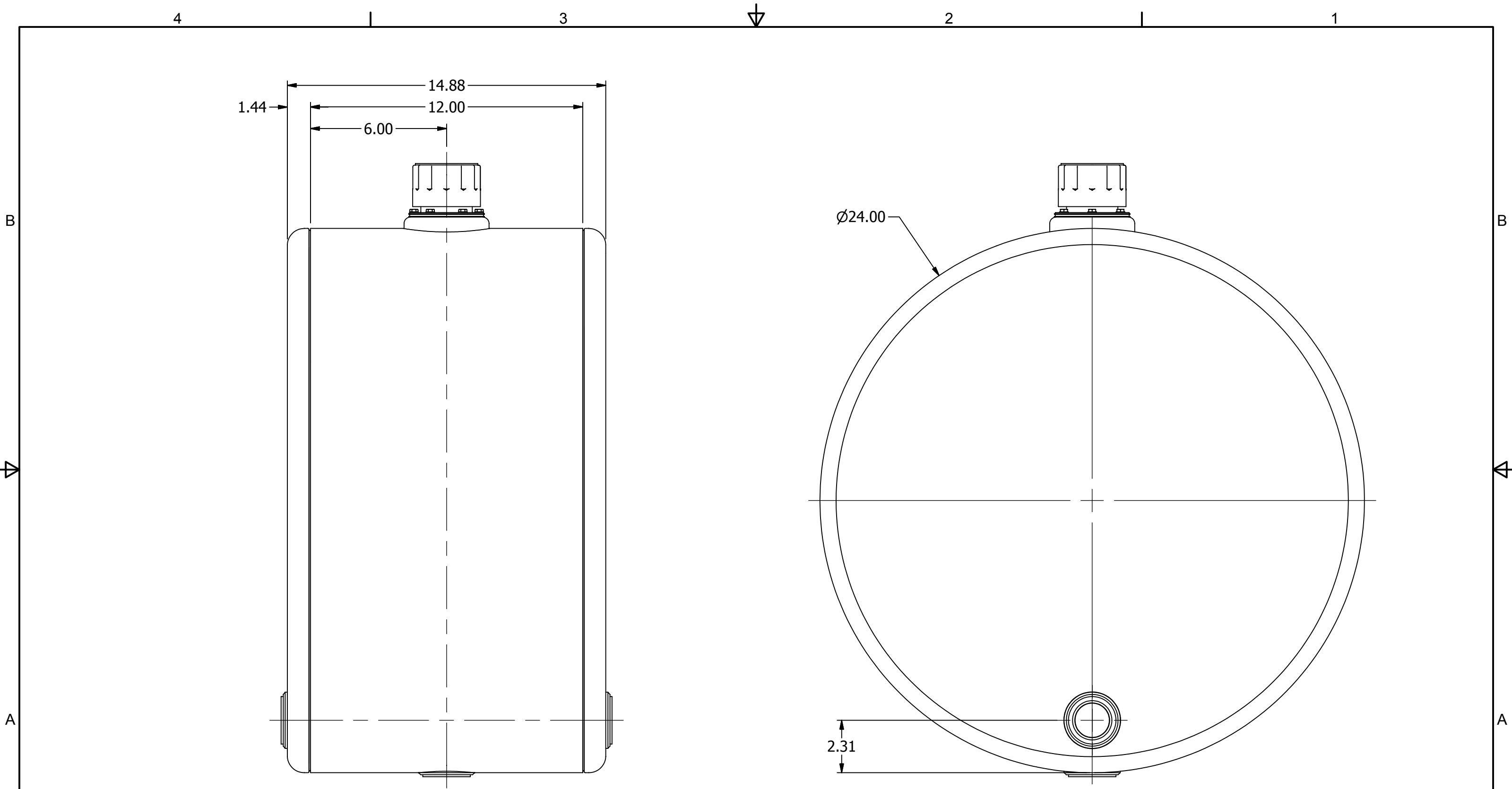
AMERICAN MOBILE POWER PH: (800) 634-8265 FAX: (765) 948-3403	DRAWING BY: BPK	DESIGN FOR: A.M.P.	FILE NAME: A4525	
	COMPLETED: 3/24/2005		SHEET: 1 of 5	SHEET SIZE: B

4

3

2

1



AMERICAN MOBILE POWER PH: (800) 634-8265 FAX: (765) 948-3403	DRAWING BY: BPK	DESIGN FOR: A.M.P.	FILE NAME: A4525	
	COMPLETED: 3/24/2005		SHEET: 2 of 5	SHEET SIZE: B

4

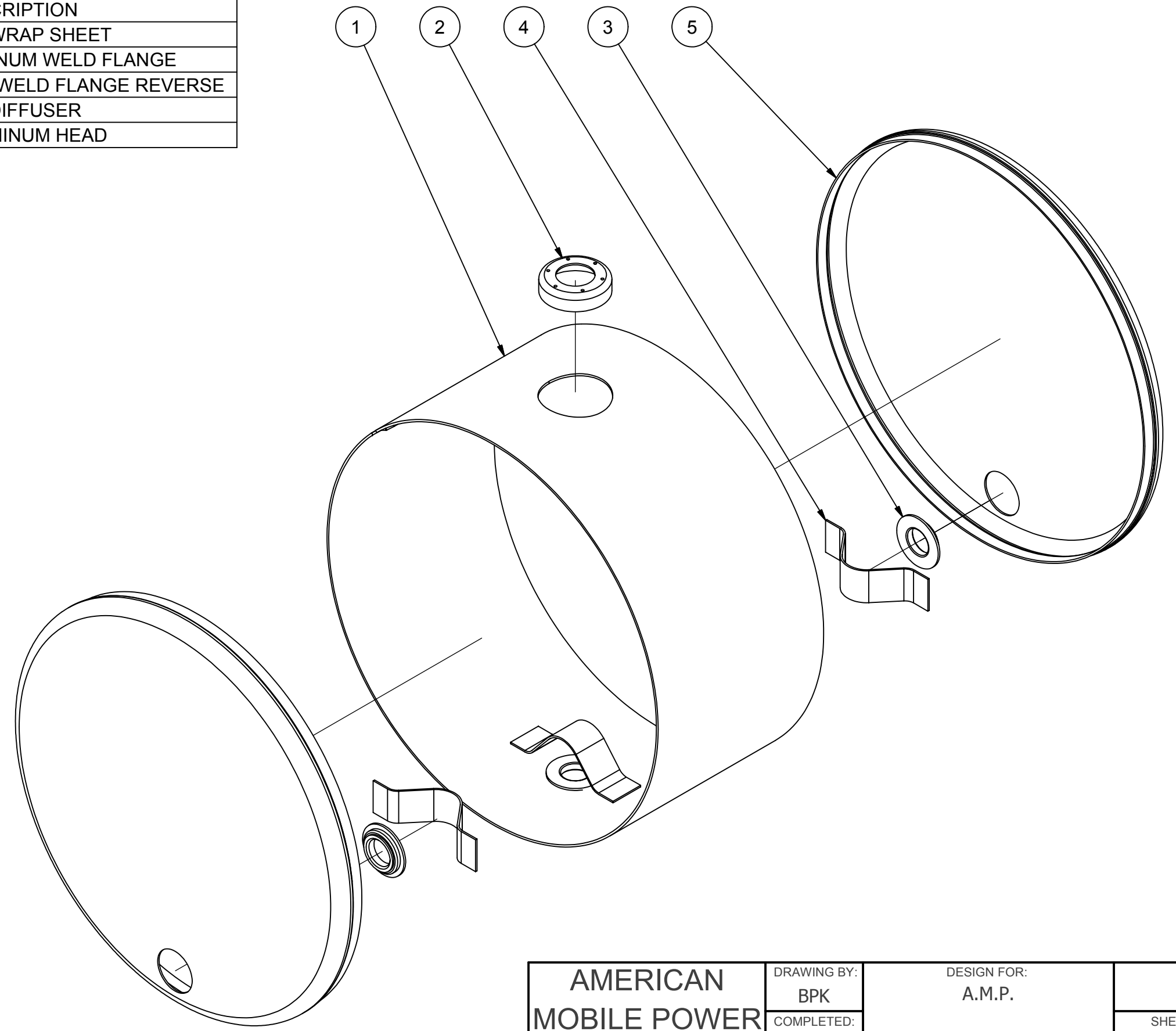
3

2

1

Parts List

ITEM	QTY	PART NUMBER	DESCRIPTION
1	1	A4525WS	.100 MILL ALUMINUM WRAP SHEET
2	1	AFA-402	3.75 FILL ASS'Y ALUMINUM WELD FLANGE
3	3	AWF1250RM	1 1/4" NPT ALUMINUM WELD FLANGE REVERSE
4	3	DIFFUSER-AL	.100 MILL ALUMINUM DIFFUSER
5	2	SA1250RMNS	24 IN X .100 MILL ALUMINUM HEAD



B

B

A

A

AMERICAN MOBILE POWER PH: (800) 634-8265 FAX: (765) 948-3403	DRAWING BY: BPK	DESIGN FOR: A.M.P.	FILE NAME: A4525	
	COMPLETED: 3/24/2005		SHEET: 3 of 5	SHEET SIZE: B

4

3

2

1