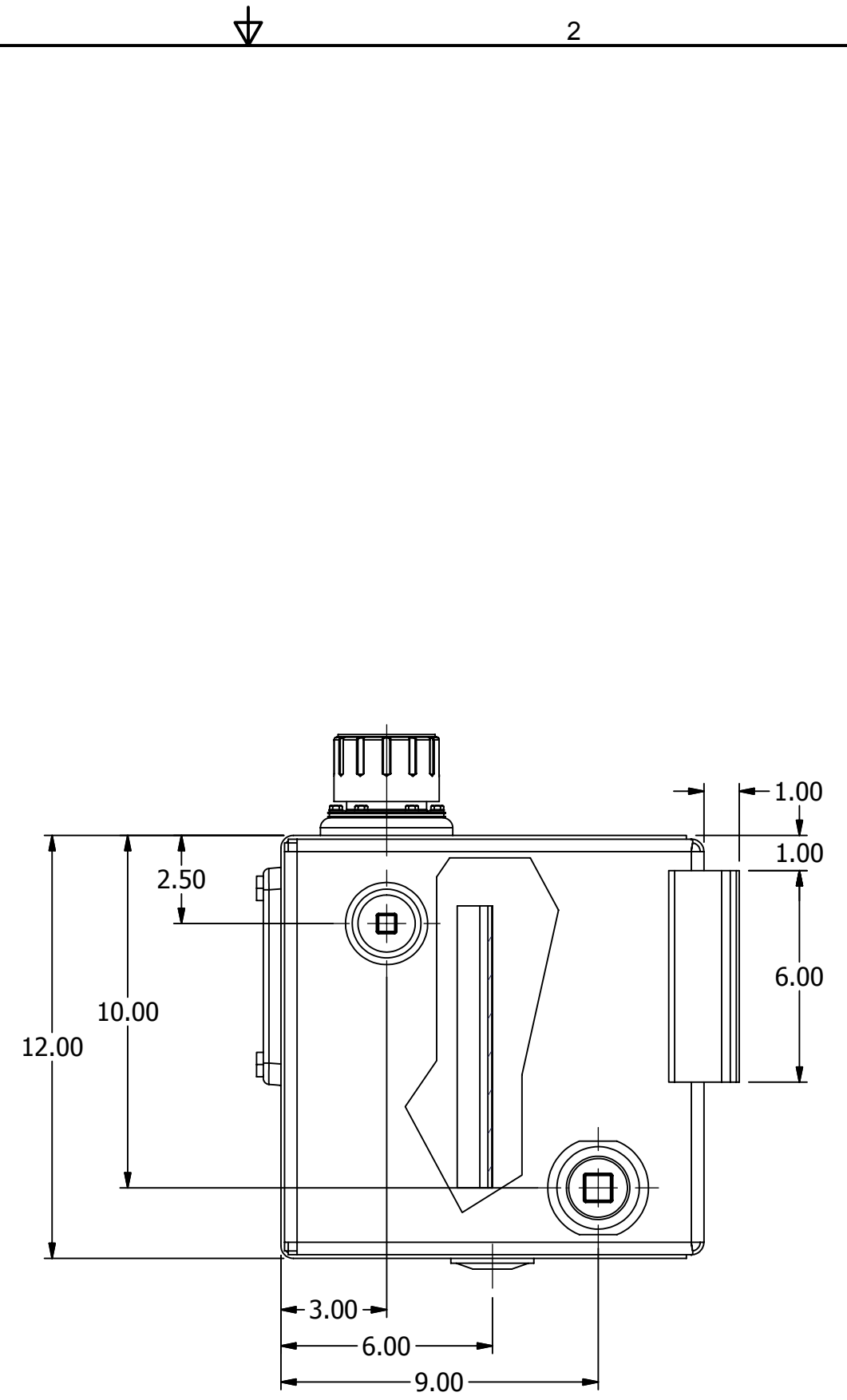
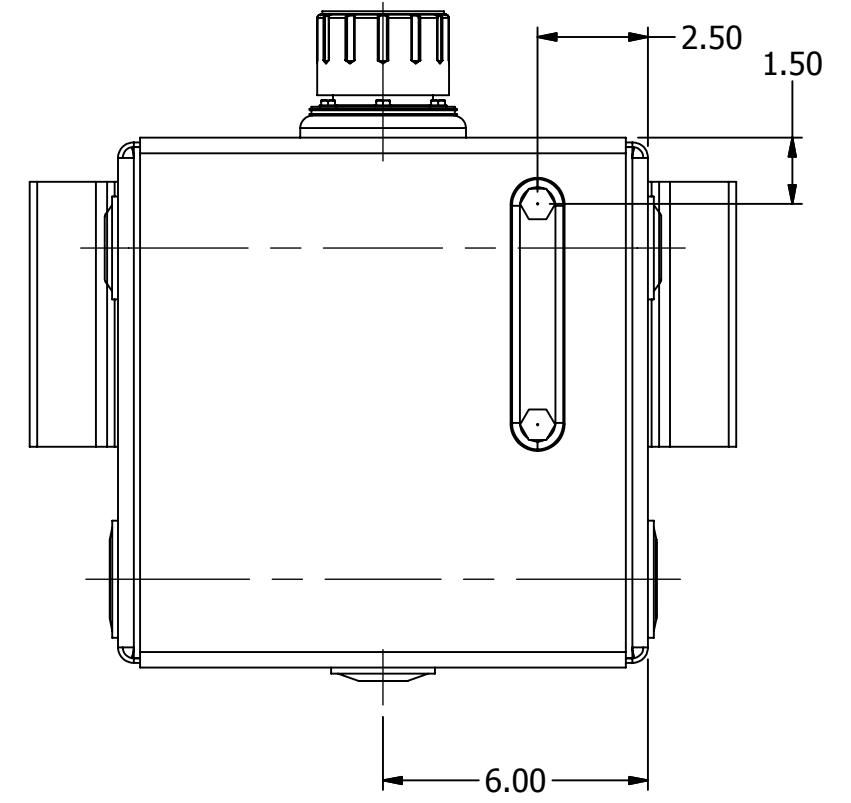
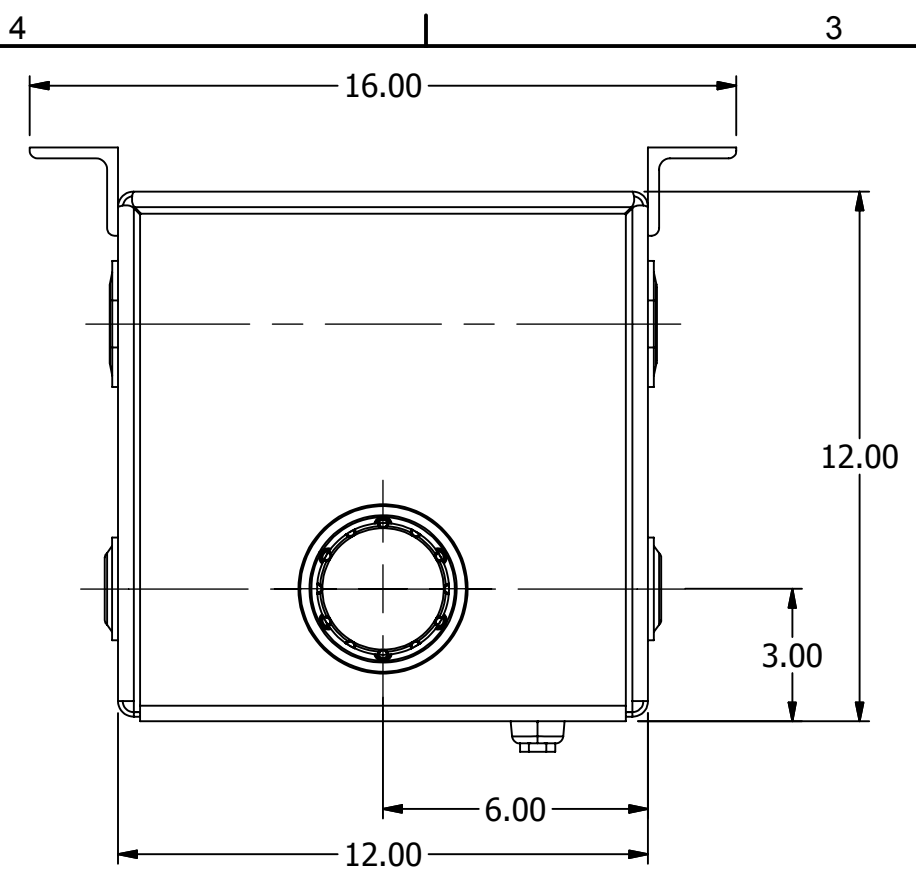


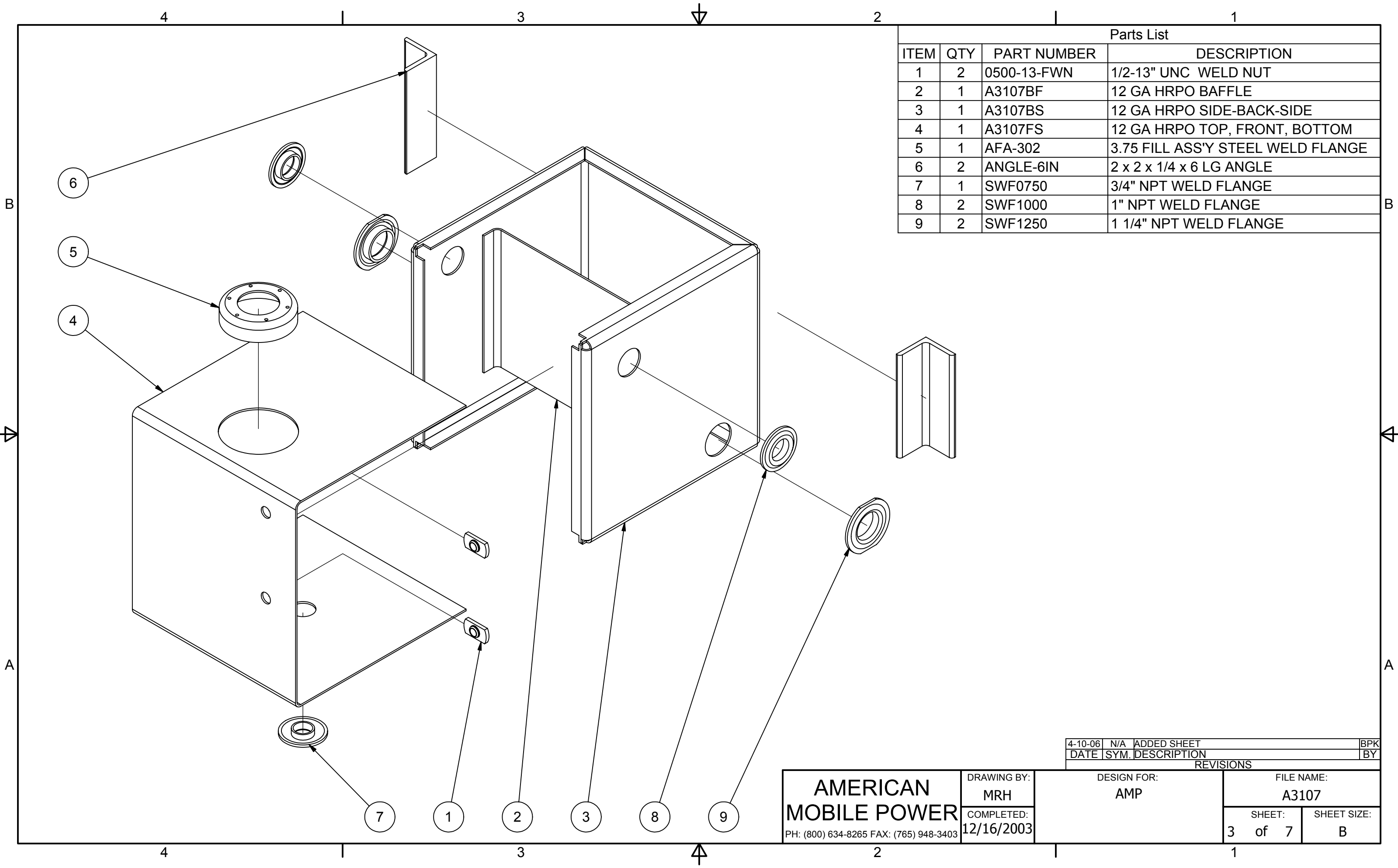
Parts List			
ITEM	QTY	PART NUMBER	DESCRIPTION
1	1	57XL-40N	40 MICRON FILL W/NYLON STRAINER
2	1	MAGPLUG0750	3/4" NPT MAG PLUG
3	1	N_A3107	NAM ASSEMBLY 32 3/4 lbs
4	1	PLUG1000	1" NPT PLUG
5	1	PLUG1250	1 1/4" NPT SQUARE SOCKET PLUG
6	1	T-LLG-5	LENZ 5" SIGHT TEMP GAUGE

NOTES:
 -POWDER COAT BLACK
 -APPLY RUST INHIBITOR INSIDE
 -PLUG ALL PORTS FOR SHIPMENT

AMERICAN MOBILE POWER PH: (800) 634-8265 FAX: (765) 948-3403	DRAWING BY: MRH	DESIGN FOR: AMP	FILE NAME: A3107	
	COMPLETED: 12/16/2003		SHEET: 1 of 7	SHEET SIZE: B



AMERICAN MOBILE POWER PH: (800) 634-8265 FAX: (765) 948-3403	DRAWING BY: MRH	DESIGN FOR: AMP	FILE NAME: A3107	
	COMPLETED: 12/16/2003		SHEET: 2 of 7	SHEET SIZE: B



Parts List			
ITEM	QTY	PART NUMBER	DESCRIPTION
1	2	0500-13-FWN	1/2-13" UNC WELD NUT
2	1	A3107BF	12 GA HRPO BAFFLE
3	1	A3107BS	12 GA HRPO SIDE-BACK-SIDE
4	1	A3107FS	12 GA HRPO TOP, FRONT, BOTTOM
5	1	AFA-302	3.75 FILL ASS'Y STEEL WELD FLANGE
6	2	ANGLE-6IN	2 x 2 x 1/4 x 6 LG ANGLE
7	1	SWF0750	3/4" NPT WELD FLANGE
8	2	SWF1000	1" NPT WELD FLANGE
9	2	SWF1250	1 1/4" NPT WELD FLANGE

DATE	SYM.	DESCRIPTION	BY
4-10-06	N/A	ADDED SHEET	BPK

AMERICAN MOBILE POWER PH: (800) 634-8265 FAX: (765) 948-3403	DRAWING BY: MRH	DESIGN FOR: AMP	FILE NAME: A3107	
	COMPLETED: 12/16/2003		SHEET: 3 of 7	SHEET SIZE: B

4 3 2 1

B

A

4 3 2 1