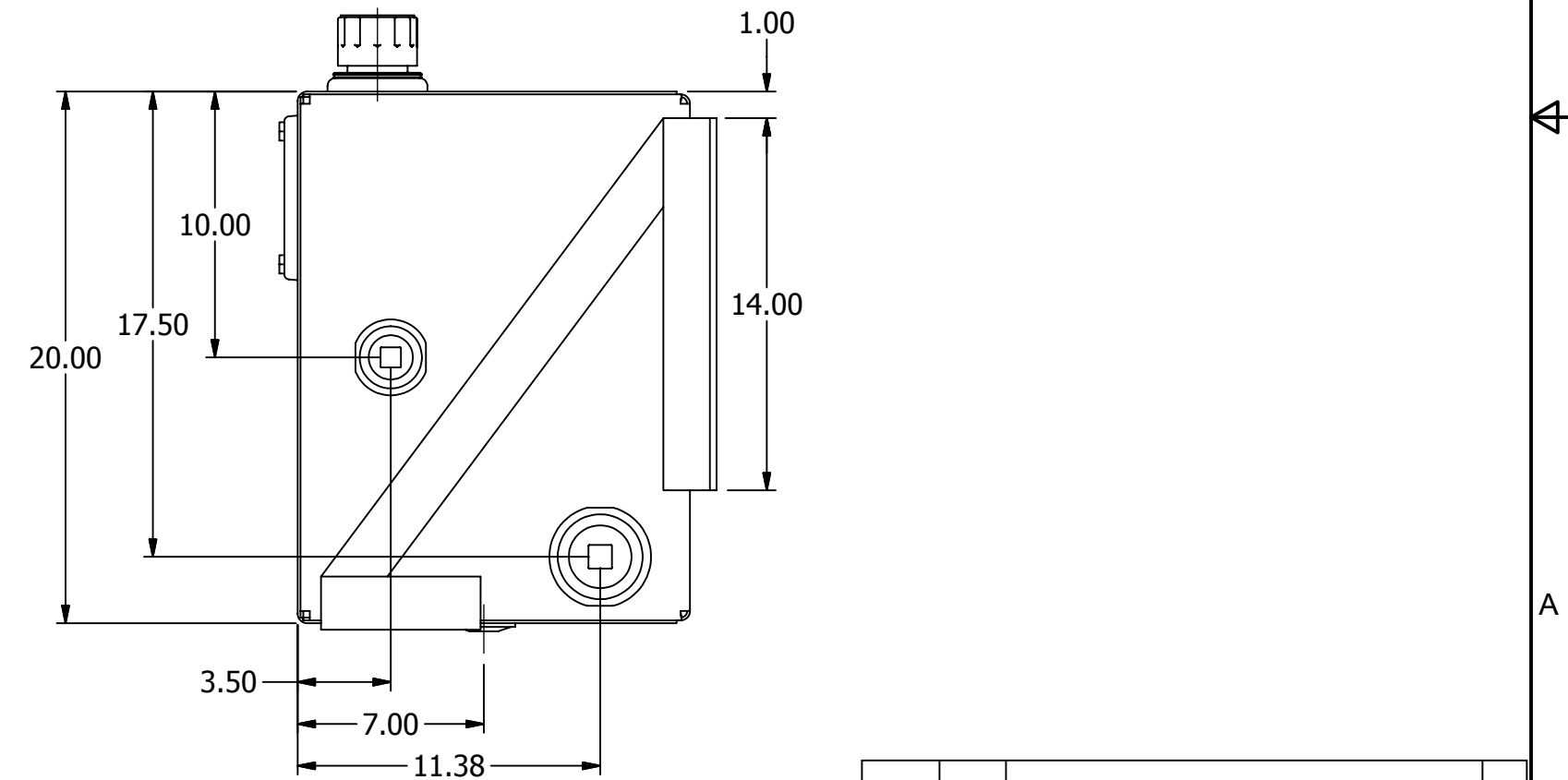
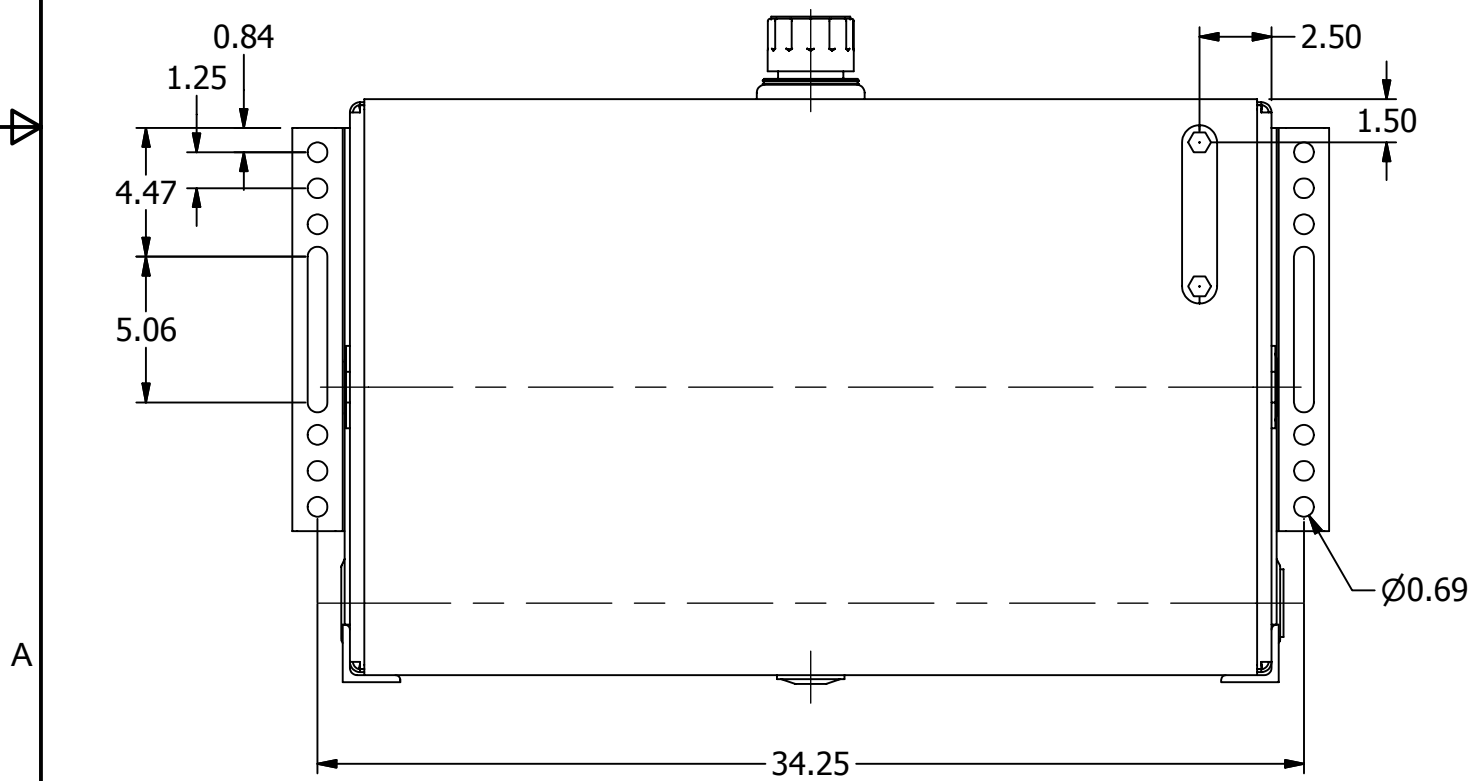
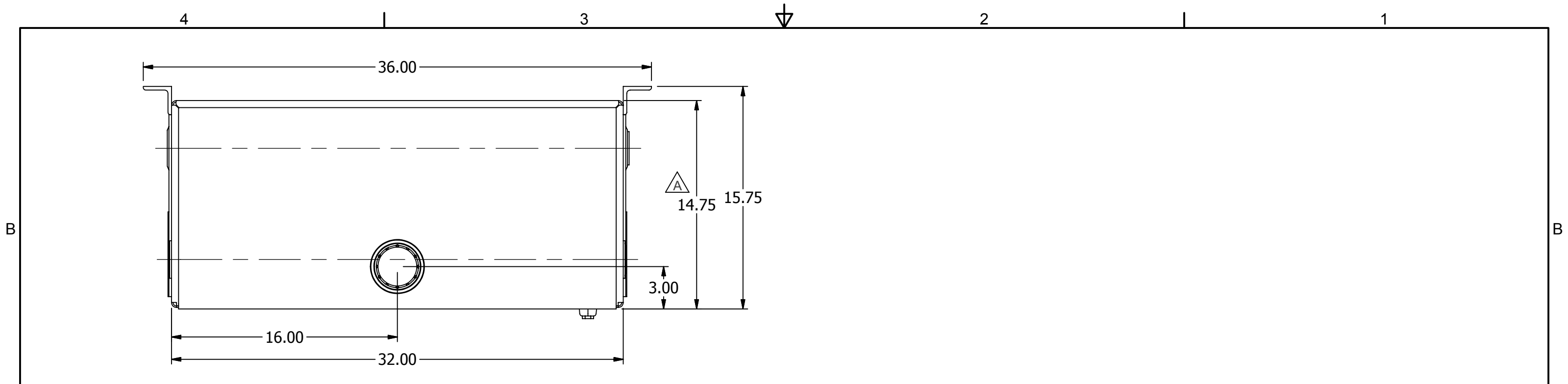
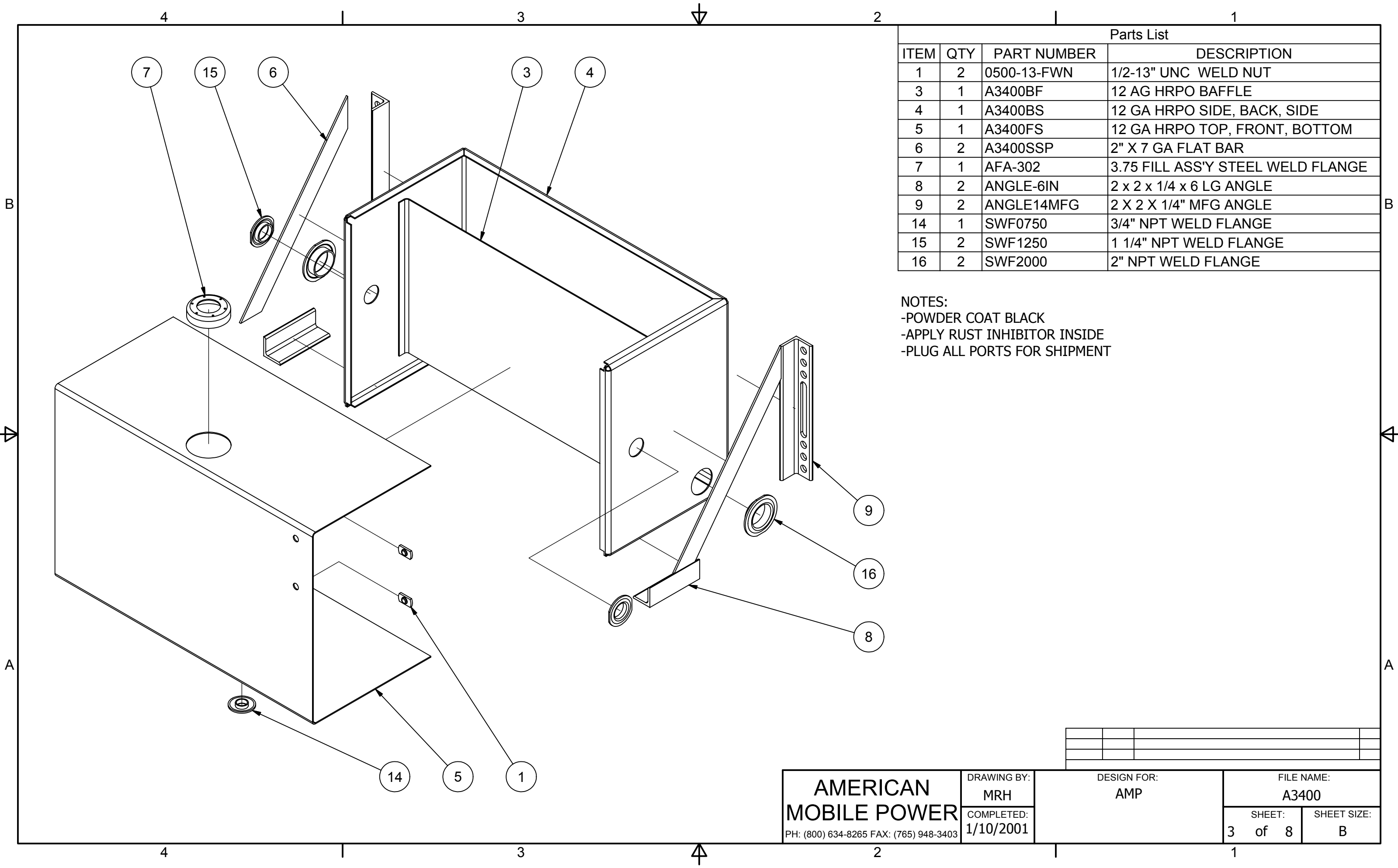


Parts List			
ITEM	QTY	PART NUMBER	DESCRIPTION
1	1	57XL-40N	40 MICRON FILL W/NYLON STRAINER
2	1	MAGPLUG0750	3/4" NPT MAG PLUG
3	1	N_A3400	NAM ASSEMBLY 114 1/4 lbs
4	1	PLUG1250	1 1/4" NPT SQUARE SOCKET PLUG
5	1	PLUG2000	2" NPT SQUARE SOCKET PLUG
6	1	T-LLG-5	LENZ 5" SIGHT TEMP GAUGE

AMERICAN MOBILE POWER PH: (800) 634-8265 FAX: (765) 948-3403	DRAWING BY: MRH	DESIGN FOR: AMP	FILE NAME: A3400	
	COMPLETED: 1/10/2001		SHEET: 1 of 8	SHEET SIZE: B



AMERICAN MOBILE POWER PH: (800) 634-8265 FAX: (765) 948-3403	DRAWING BY: MRH	DESIGN FOR: AMP	FILE NAME: A3400	
	COMPLETED: 1/10/2001		SHEET: 2 of 8	SHEET SIZE: B



Parts List			
ITEM	QTY	PART NUMBER	DESCRIPTION
1	2	0500-13-FWN	1/2-13" UNC WELD NUT
3	1	A3400BF	12 AG HRPO BAFFLE
4	1	A3400BS	12 GA HRPO SIDE, BACK, SIDE
5	1	A3400FS	12 GA HRPO TOP, FRONT, BOTTOM
6	2	A3400SSP	2" X 7 GA FLAT BAR
7	1	AFA-302	3.75 FILL ASS'Y STEEL WELD FLANGE
8	2	ANGLE-6IN	2 x 2 x 1/4 x 6 LG ANGLE
9	2	ANGLE14MFG	2 X 2 X 1/4" MFG ANGLE
14	1	SWF0750	3/4" NPT WELD FLANGE
15	2	SWF1250	1 1/4" NPT WELD FLANGE
16	2	SWF2000	2" NPT WELD FLANGE

NOTES:
 -POWDER COAT BLACK
 -APPLY RUST INHIBITOR INSIDE
 -PLUG ALL PORTS FOR SHIPMENT

AMERICAN MOBILE POWER <small>PH: (800) 634-8265 FAX: (765) 948-3403</small>	DRAWING BY: MRH	DESIGN FOR: AMP	FILE NAME: A3400	
	COMPLETED: 1/10/2001		SHEET: 3 of 8	SHEET SIZE: B