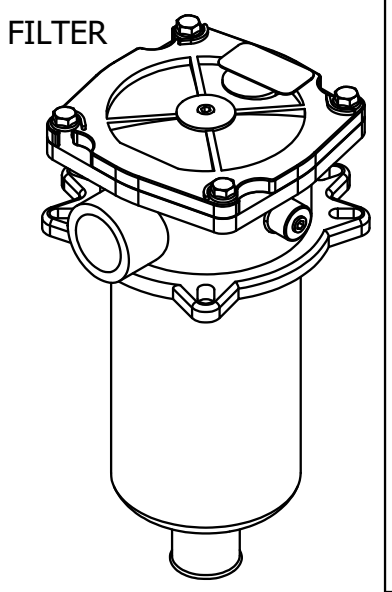


Parts List			
ITEM	QTY	PART NUMBER	DESCRIPTION
1	1	57XL-40	40 Micron FILL w/30 Mesh Stainless Strainer
2	1	AFC-507	FILTER PORT COVER 6.25 DIA. B.C.
3	1	APP0750-M	3/4" NPT MAG PLUG
4	1	APP1250	1 1/4" NPT SQUARE SOCKET PLUG
5	1	APP2000	2" NPT SQUARE SOCKET PLUG
6	1	N_A3150-RF	NAM WELDMENT ~60.4 lbs
7	1	T-LLG-5	SIGHT/TEMP. GAUGE, 5"

\* ON ORDER ONLY: LIT-1250-10P IN-TANK RETURN FILTER

- NOTES:  
 -POWDER COAT BLACK  
 -APPLY RUST INHIBITOR INSIDE  
 -PLUG ALL PORTS FOR SHIPMENT



WT: ~64.23 lbs

<b>AMERICAN MOBILE POWER</b> PH: (800) 634-8265 FAX: (765) 948-3403	DRAWING BY: BPKNIGHT	DESIGN FOR: AMP	FILE NAME: A3150-RF	
	COMPLETED: 3/12/2012		SHEET: 1 of 8	SHEET SIZE: B

DATE	SYM.	DESCRIPTION	BY
12-27-17	B1	FILE NAME WAS A3150FR	BPK
1-23-17	B	FILLER WAS 57XL-40N	BPK
10-19-16	A	ADD AFC-507	BPK

4

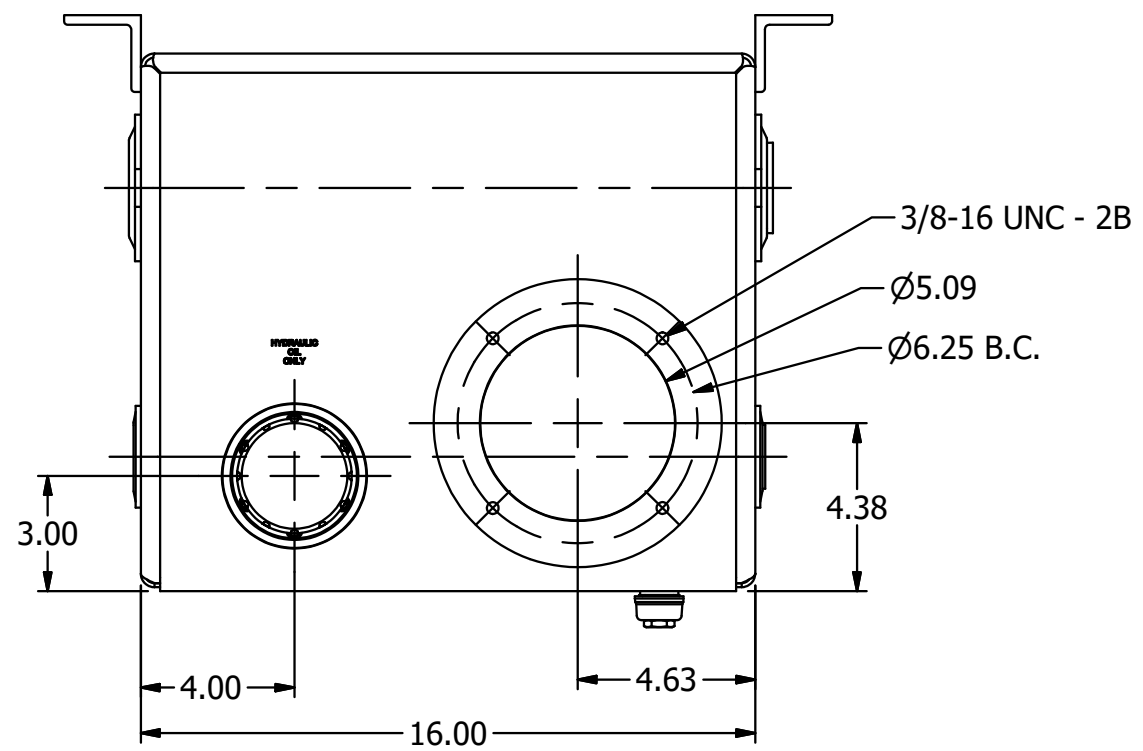
3

2

1

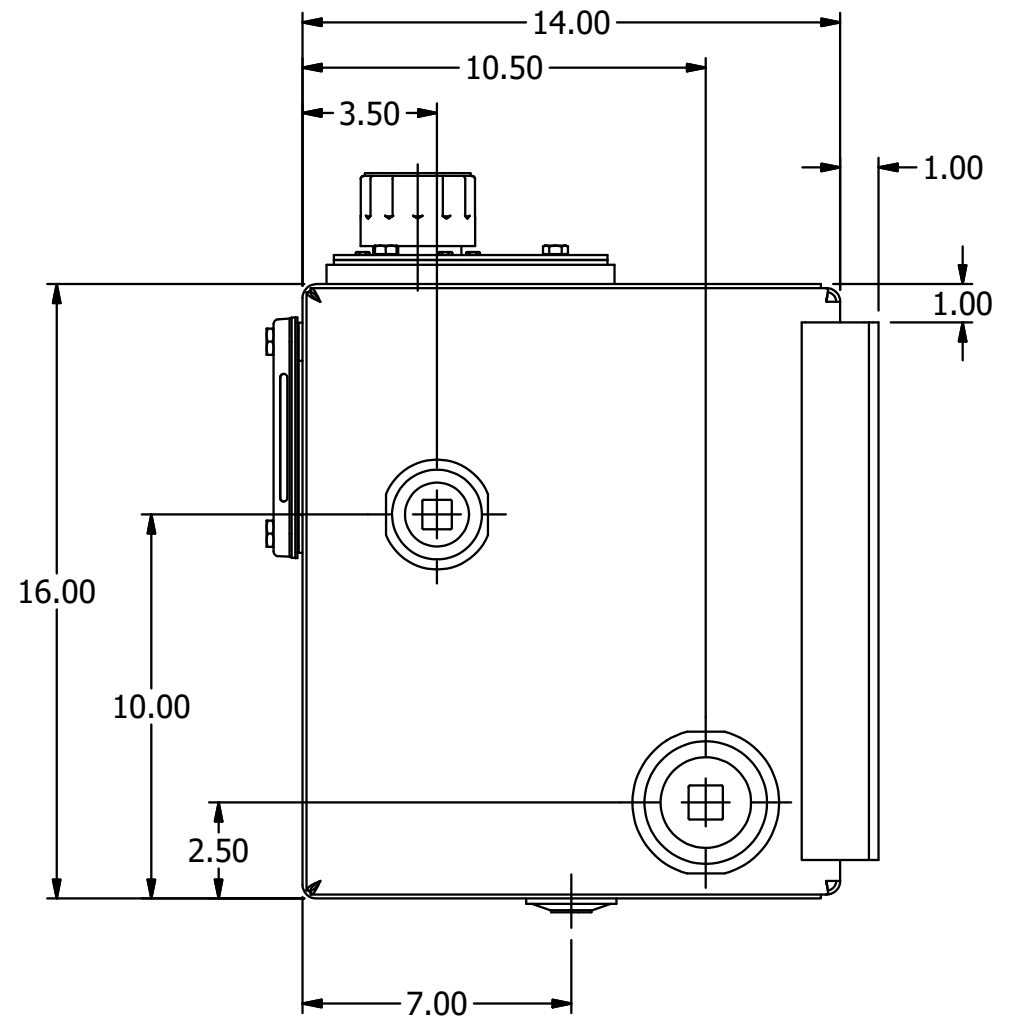
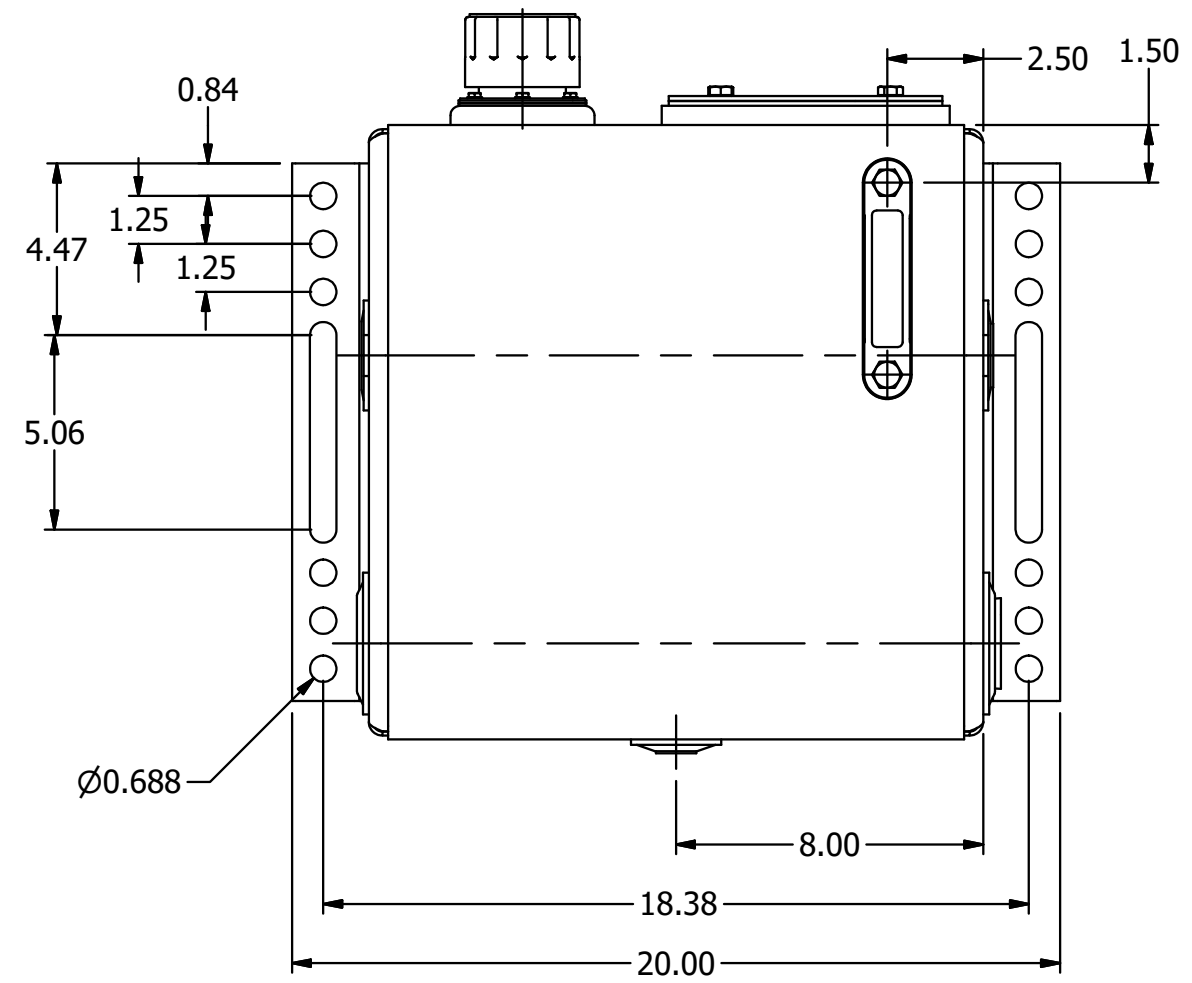
B

B



A

A



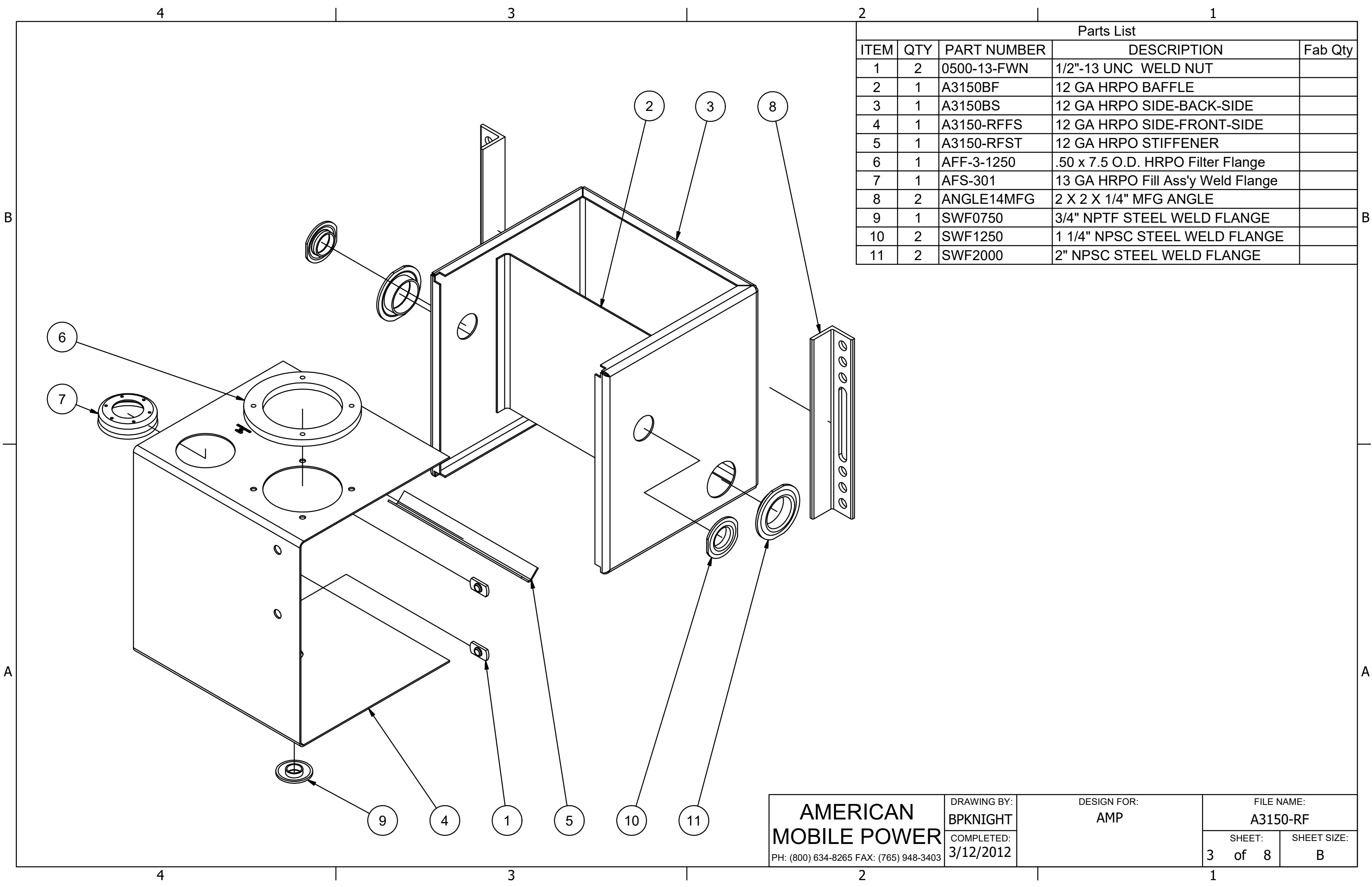
<b>AMERICAN MOBILE POWER</b> PH: (800) 634-8265 FAX: (765) 948-3403	DRAWING BY: BPKNIGHT	DESIGN FOR: AMP	FILE NAME: A3150-RF	
	COMPLETED: 3/12/2012		SHEET: 2 of 8	SHEET SIZE: B

4

3

2

1



Parts List				
ITEM	QTY	PART NUMBER	DESCRIPTION	Fab Qty
1	2	0500-13-FWN	1/2"-13 UNC WELD NUT	
2	1	A3150BF	12 GA HRPO BAFFLE	
3	1	A3150BS	12 GA HRPO SIDE-BACK-SIDE	
4	1	A3150-RFFS	12 GA HRPO SIDE-FRONT-SIDE	
5	1	A3150-RFST	12 GA HRPO STIFFENER	
6	1	AFF-3-1250	.50 x 7.5 O.D. HRPO Filter Flange	
7	1	AFS-301	13 GA HRPO Fill Ass'y Weld Flange	
8	2	ANGLE14MFG	2 X 2 X 1/4" MFG ANGLE	
9	1	SWF0750	3/4" NPTF STEEL WELD FLANGE	
10	2	SWF1250	1 1/4" NPSC STEEL WELD FLANGE	
11	2	SWF2000	2" NPSC STEEL WELD FLANGE	

<b>AMERICAN MOBILE POWER</b> <small>PH: (800) 634-8265 FAX: (765) 948-3403</small>	DRAWING BY: <b>BPKNIGHT</b>	DESIGN FOR: <b>AMP</b>	FILE NAME: <b>A3150-RF</b>	
	COMPLETED: <b>3/12/2012</b>		SHEET: <b>3 of 8</b>	SHEET SIZE: <b>B</b>