

4

3

2

1

Parts List

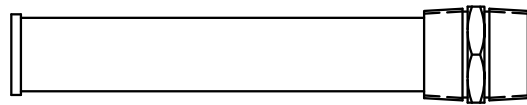
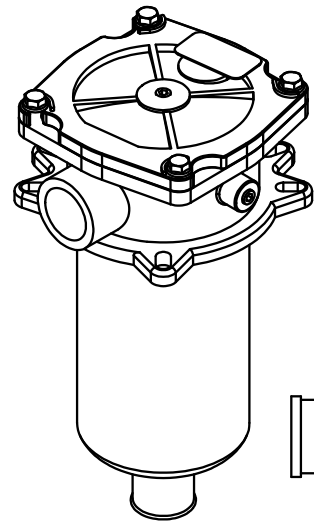
ITEM	QTY	PART NUMBER	DESCRIPTION
1	2	0500BBS	Black Buffer Seal 1.0 OD x .5 ID x .10 Neoprene
2	2	24107	Button Head, Hex, 1/2-13 UNC x 0.75
3	1	57XL-40	40 Micron FILL w/30 Mesh Stainless Strainer
4	2	ABA-138	3/8" NPT VENT
5	1	AFC-507	FILTER PORT COVER 6.25 DIA. B.C.
6	1	APP2000	2" NPT SQUARE SOCKET PLUG
7	1	N_A35100-STRF	NAM WELDMENT ~128.74 lbs
8	1	T-LLG-5	SIGHT/TEMP. GAUGE, 5"

B
AMP PARTS INCLUDE:
-AMK-624-C MOUNTING KIT (STD) OR -S (UPGRADE)

NOTES:
-POWDER COAT BLACK
-APPLY RUST INHIBITOR INSIDE
-PLUG ALL PORTS FOR SHIPMENT

HYDRAULIC
OIL
ONLY

S/N BETWEEN FILL & SEAM



* ON ORDER ONLY: LIT-1250-10P IN-TANK RETURN FILTER
LTF-32-32R5 SUCTION STRAINER

WT: ~132.74 lbs

AMERICAN MOBILE POWER PH: (800) 634-8265 FAX: (765) 948-3403	DRAWING BY: BPKNIGHT	DESIGN FOR: A.M.P.	FILE NAME: A35100-STRF	
	COMPLETED: 7/9/2018		SHEET: 1 of 5	SHEET SIZE: B

4

3

2

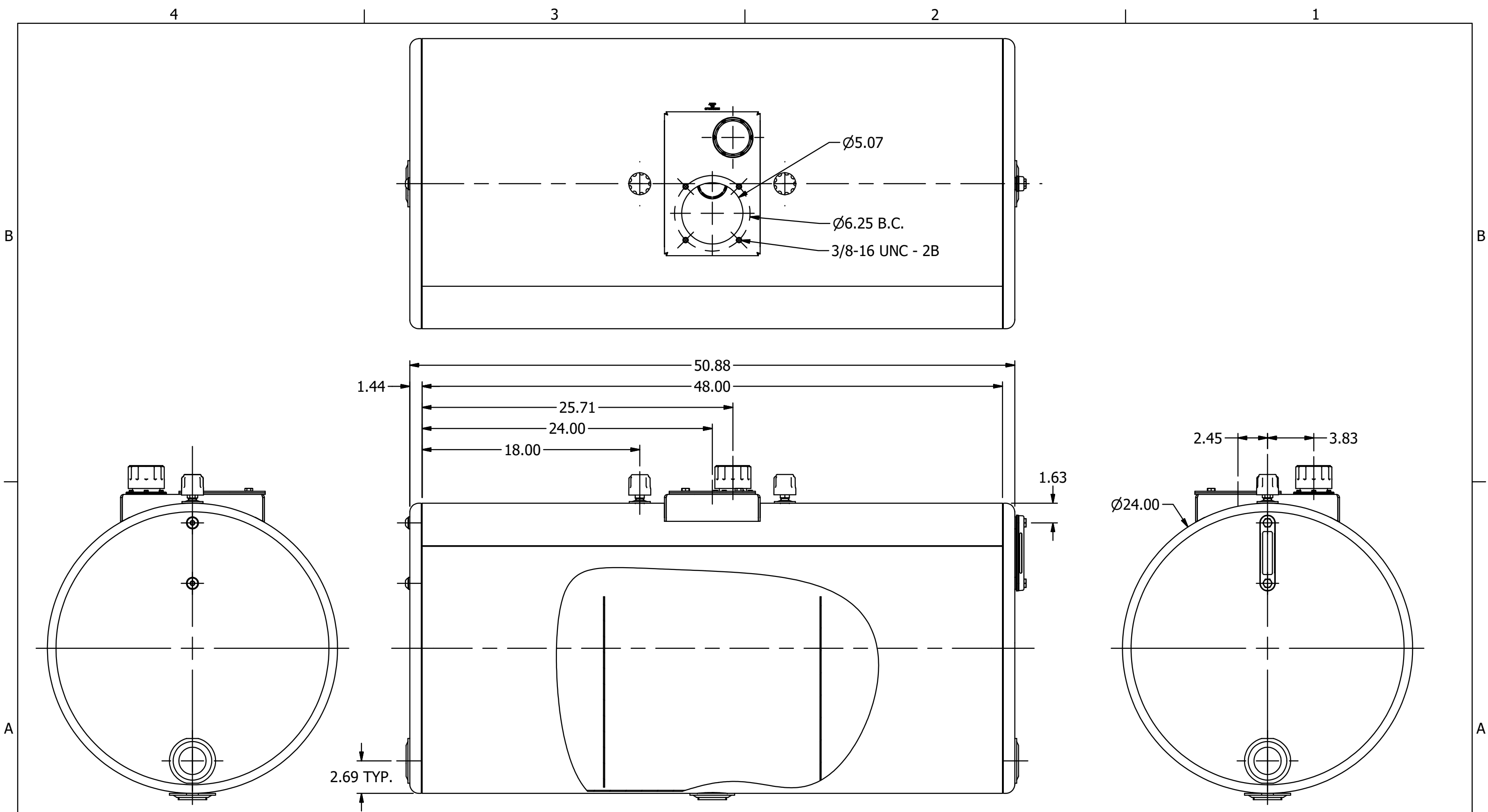
1

A

A

B

B



AMERICAN MOBILE POWER PH: (800) 634-8265 FAX: (765) 948-3403	DRAWING BY: BPKNIGHT	DESIGN FOR: A.M.P.	FILE NAME: A35100-STRF	
	COMPLETED: 7/9/2018		SHEET: 2 of 5	SHEET SIZE: B

4

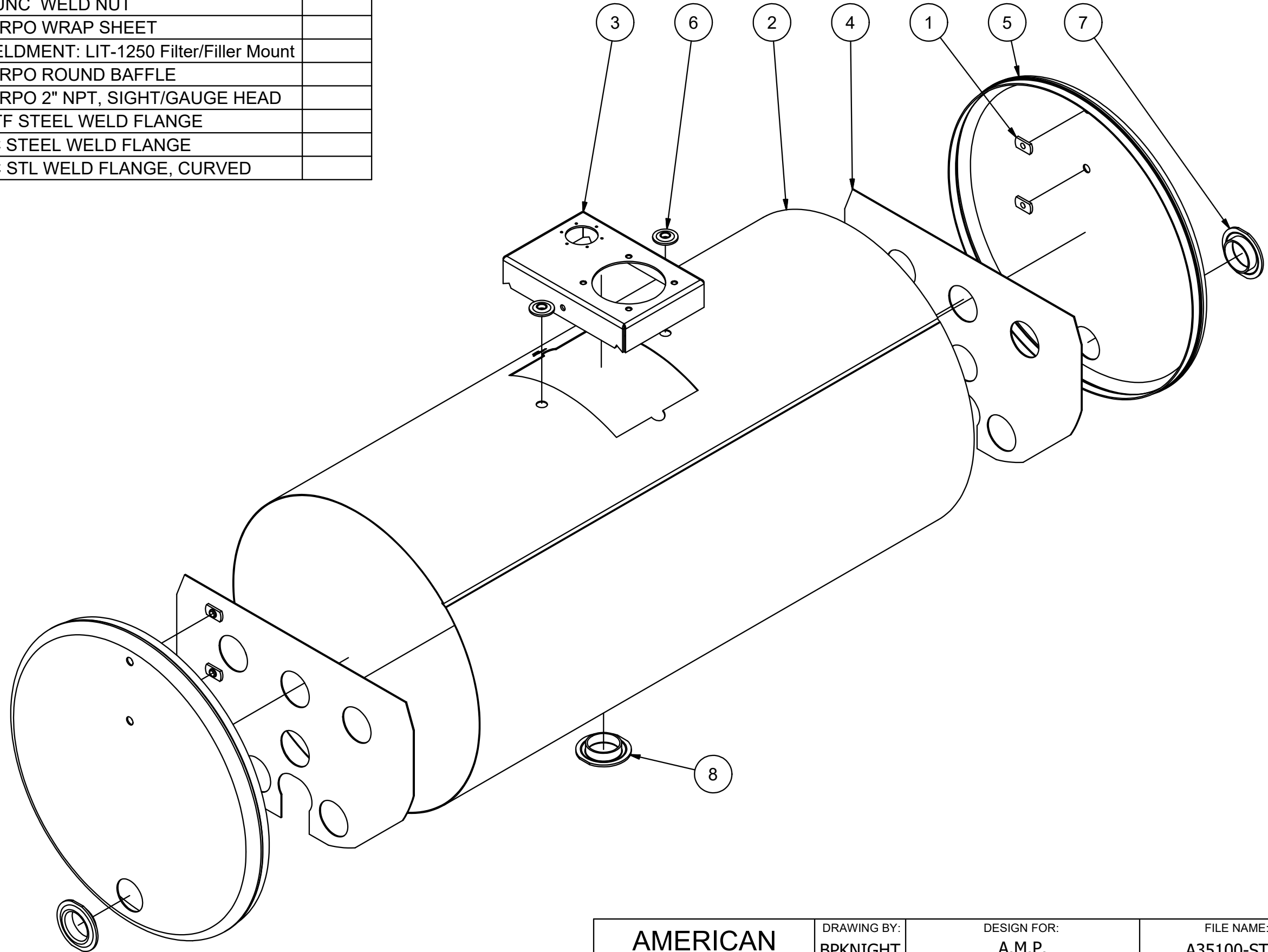
3

2

1

Parts List

ITEM	QTY	PART NUMBER	DESCRIPTION	Fab Qty
1	4	0500-13-FWN	1/2"-13 UNC WELD NUT	
2	1	A35100-STRFW	14 GA HRPO WRAP SHEET	
3	1	N_A35RF12FBM	NAM WELDMENT: LIT-1250 Filter/Filler Mount	
4	2	SS0000BF	13 GA HRPO ROUND BAFFLE	
5	2	SS2000ST	13 GA HRPO 2" NPT, SIGHT/GAUGE HEAD	
6	2	SWF0375	3/8" NPTF STEEL WELD FLANGE	
7	2	SWF2000	2" NPSC STEEL WELD FLANGE	
8	1	SWF2000C	2" NPSC STL WELD FLANGE, CURVED	



B

B

A

A

4

3

2

1

AMERICAN MOBILE POWER PH: (800) 634-8265 FAX: (765) 948-3403	DRAWING BY: BPKNIGHT	DESIGN FOR: A.M.P.	FILE NAME: A35100-STRF	
	COMPLETED: 7/9/2018		SHEET: 3 of 5	SHEET SIZE: B