

4

3

2

1

Parts List

ITEM	QTY	PART NUMBER	DESCRIPTION
1	2	0500BBS	Black Buffer Seal 1.0 OD x .5 ID x .10 Neoprene
2	2	24107	Button Head, Hex, 1/2-13 UNC x 0.75
3	1	57XL-40	40 Micron FILL w/30 Mesh Stainless Strainer
4	1	AFC-507	FILTER PORT COVER 6.25 DIA. B.C.
5	1	APP0750-M	3/4" NPT MAG PLUG
6	1	LIT-1250-10P *	Return Filter 1 1/4" NPT 10 Micron/25 psi Bypass
7	1	LTM-25 *	2" TO 1 1/4" 100 MESH SUCTION STRAINER
8	1	MC-20 *	Return Line Indicating Gauge, 25 psi Filter App's
9	1	N_A3535-DS90-STRF	NAM WELDMENT ~67 3/4 lbs
10	1	T-LLG-5	SIGHT/TEMP. GAUGE, 5"

AMP PARTS INCLUDE:

-AMK-624-C MOUNTING KIT (STD) OR -S (UPGRADE)

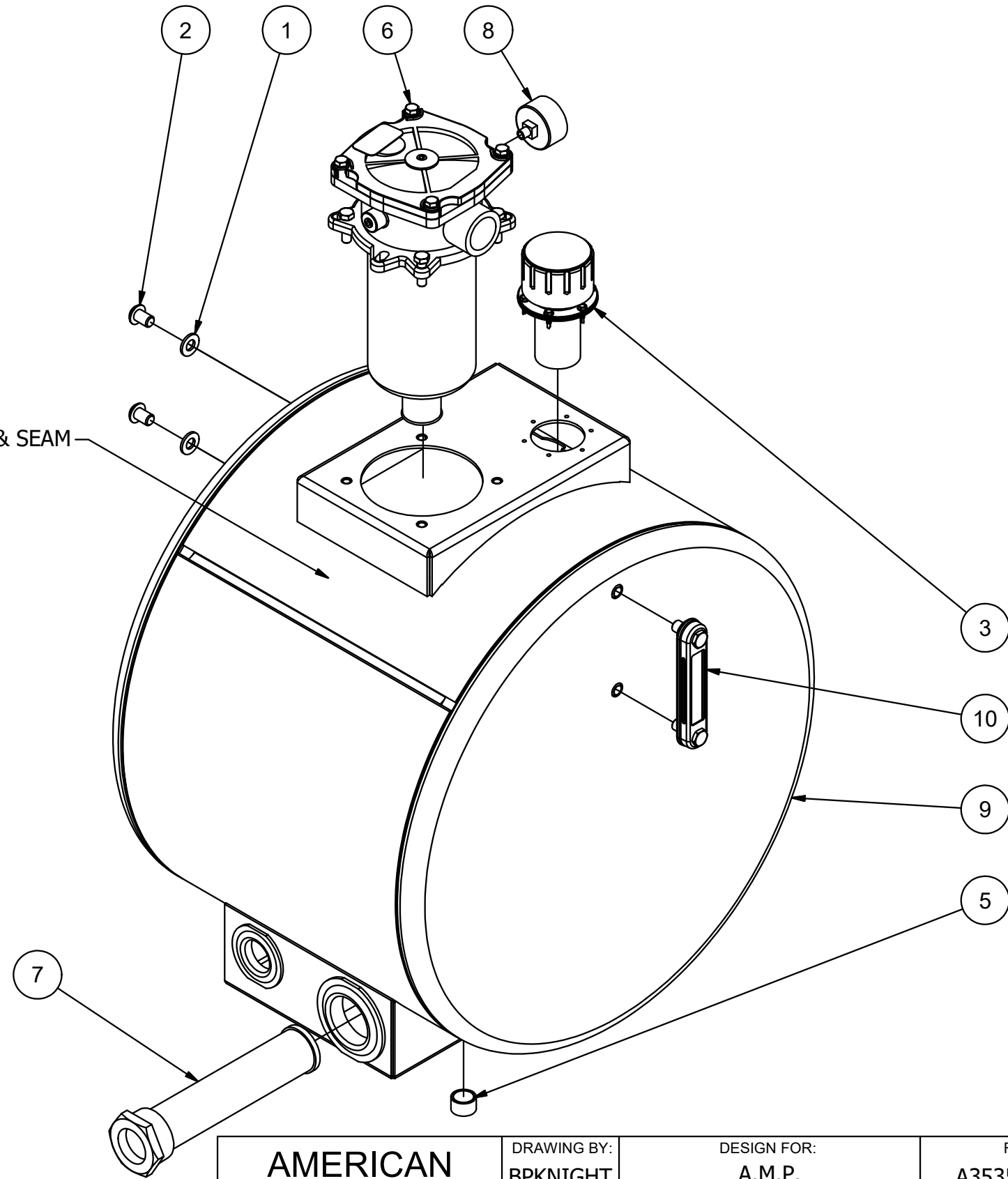
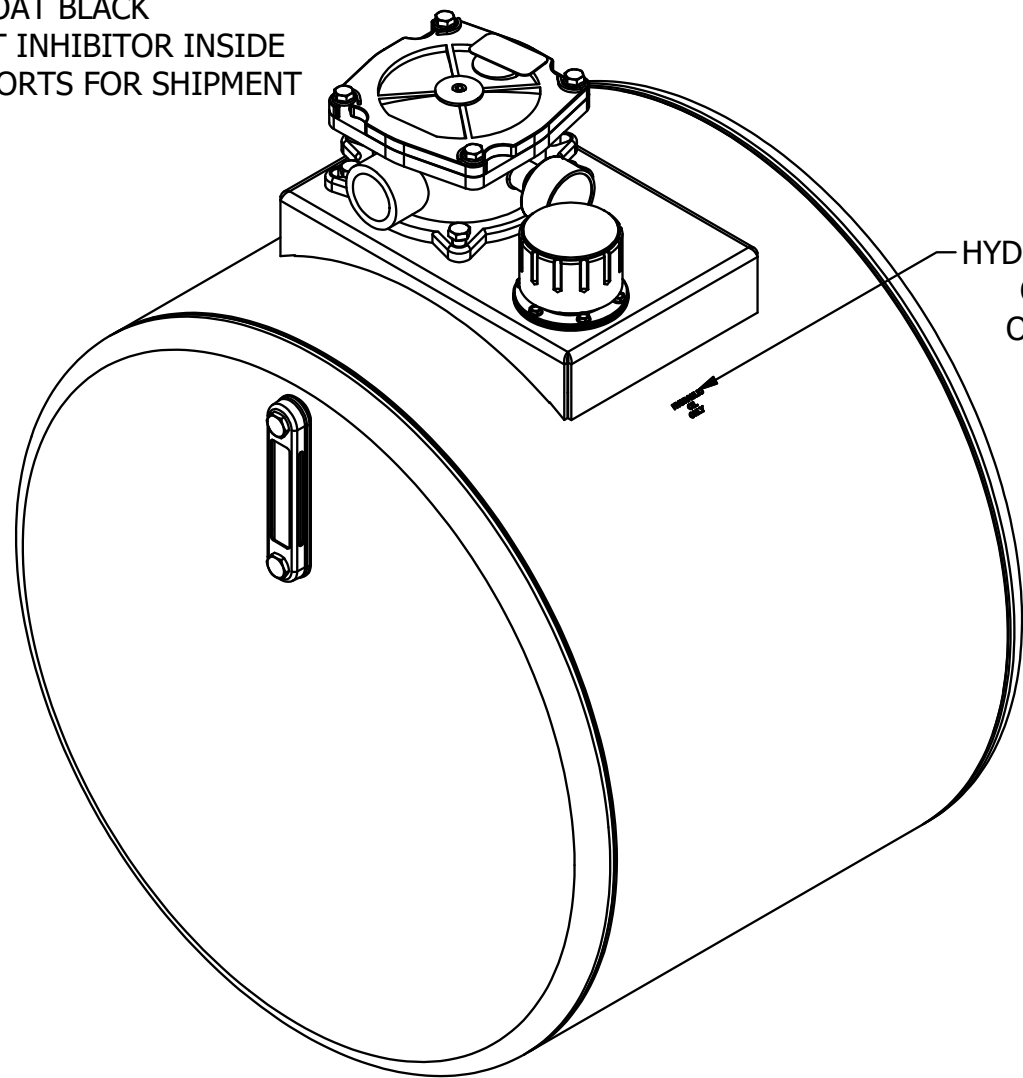
* FILTER & GAUGE & STRAINER SHOWN FOR REFERENCE;
ORDER SEPARATELY.

NOTES:

- POWDER COAT BLACK
- APPLY RUST INHIBITOR INSIDE
- PLUG ALL PORTS FOR SHIPMENT

S/N BETWEEN RISER & SEAM

HYDRAULIC
OIL
ONLY



AMERICAN MOBILE POWER <small>PH: (800) 634-8265 FAX: (765) 948-3403</small>	<small>DRAWING BY:</small> BPKNIGHT	<small>DESIGN FOR:</small> A.M.P.	<small>FILE NAME:</small> A3535-DS90-STRF	
	<small>COMPLETED:</small> 6/4/2014		<small>SHEET:</small> 1 of 9	<small>SHEET SIZE:</small> B

4

3

2

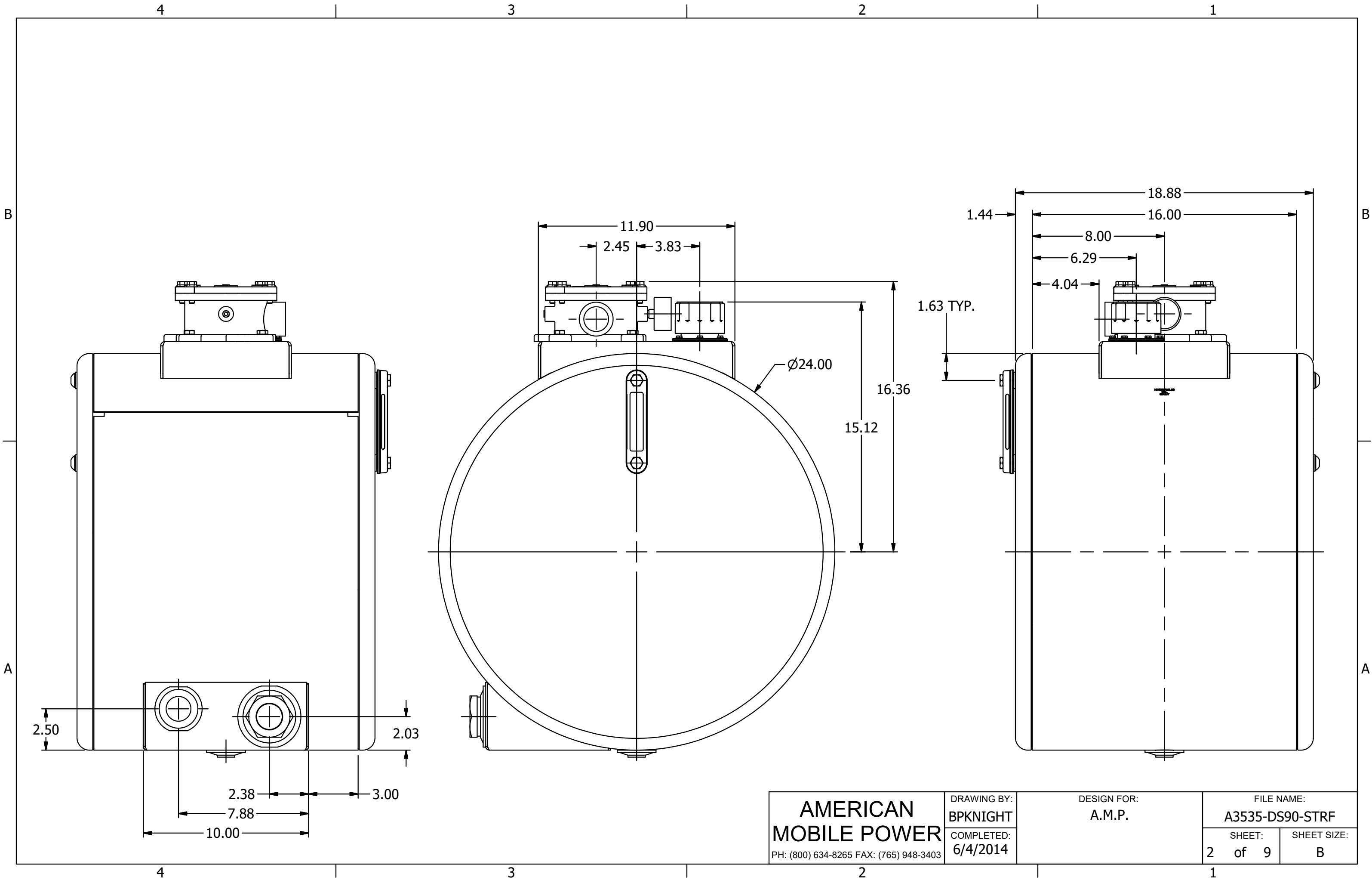
1

A

A

B

B



AMERICAN MOBILE POWER PH: (800) 634-8265 FAX: (765) 948-3403	DRAWING BY: BPKNIGHT	DESIGN FOR: A.M.P.	FILE NAME: A3535-DS90-STRF	
	COMPLETED: 6/4/2014		SHEET: 2 of 9	SHEET SIZE: B

4

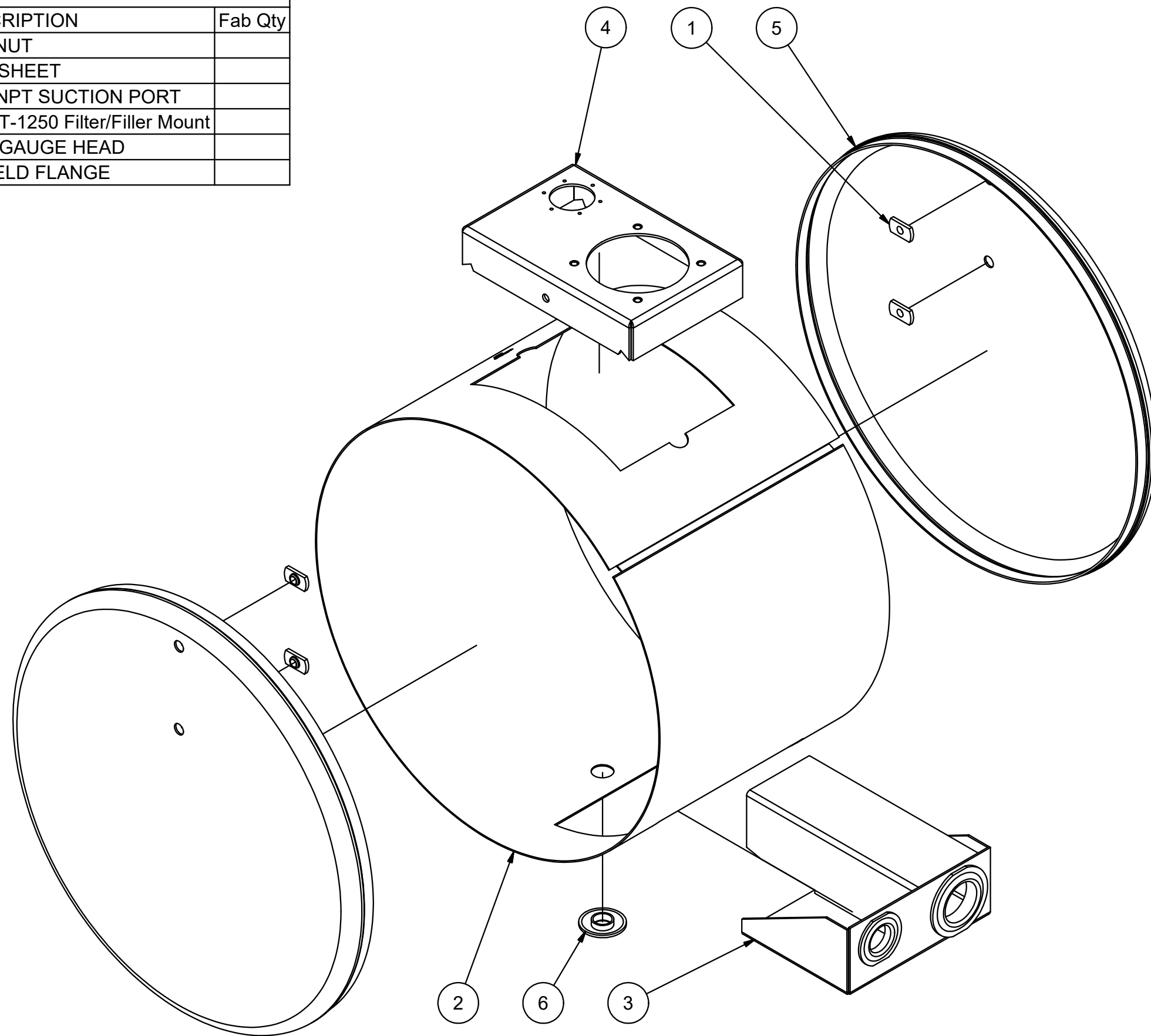
3

2

1

Parts List

ITEM	QTY	PART NUMBER	DESCRIPTION	Fab Qty
1	4	0500-13-FWN	1/2"-13 UNC WELD NUT	
2	1	A3535-DS90-STRFW	14 GA HRPO WRAP SHEET	
3	1	N_A3535-DS90SP	WELDMENT: 1 1/4" NPT SUCTION PORT	
4	1	N_A35RF12FBM	NAM WELDMENT: LIT-1250 Filter/Filler Mount	
5	2	SS0000ST	13 GA HRPO SIGHT/GAUGE HEAD	
6	1	SWF0750	3/4" NPTF STEEL WELD FLANGE	



B

B

A

A

AMERICAN MOBILE POWER PH: (800) 634-8265 FAX: (765) 948-3403	DRAWING BY: BPKNIGHT	DESIGN FOR: A.M.P.	FILE NAME: A3535-DS90-STRF	
	COMPLETED: 6/4/2014		SHEET: 3 of 9	SHEET SIZE: B

4

3

2

1