



Filler Breather Caps

Bayonet Style Filler Strainer Breather

Model FCS (40 or 10 Microns)

- 180 GPM or 26.7 CFM
- Keeps Reservoir Fluids Clean, Protects and Prolongs Hydraulic System Life!
- Each unit packaged in kit with instructions and template for drilling mounting holes.
- Strainer lengths, screen mesh and materials can be varied to meet special needs.
- Zinc Plated
- SAE J829 Mounting Flange



FCS-537



FCS-537-W



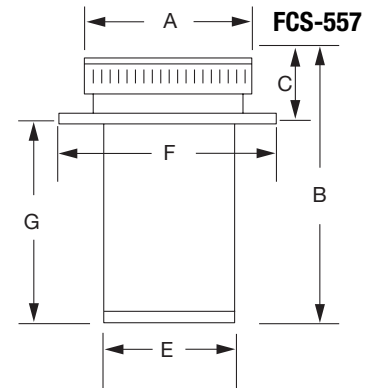
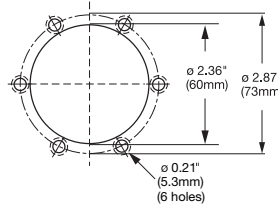
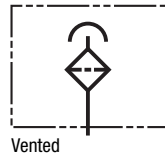
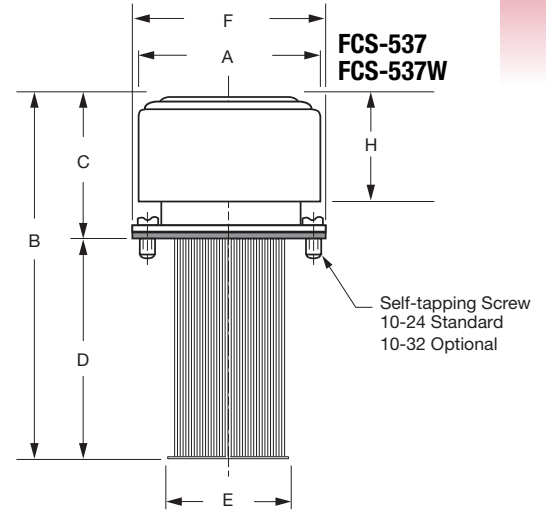
FCS-557
FCS-557V

Dimensional Detail

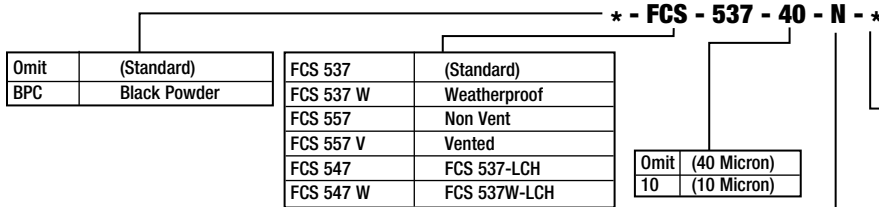
MODEL NUMBER	MICRON	GPM	AIR FLOW	STANDARD								
					A	B	C	D	E	F	G	
FCS-537-W	10, 40	180	26.7	IN	2.6"	4.8"	1.8"	3.8"	1.9"	3.3"	3"	
				MM	66	121	46	97	48	84	76	
FCS-537	10, 40	180	26.7	IN	2.6"	4.8"	1.8"	3.8"	1.9"	3.3"	3"	
				MM	66	121	46	97	48	84	76	
FCS-557	N/A	0	0	IN	2.5"	4"	1"	3.8"	1.9"	3.3"	3"	
				MM	64	102	25	97	48	84	76	
FCS-557-V	N/A	0	0	IN	2.5"	4"	1"	3.8"	1.9"	3.3"	3"	
				MM	64	102	25	97	48	84	76	

*G = 3" Length Basket

557-V has 2 vent holes .06" in diameter each



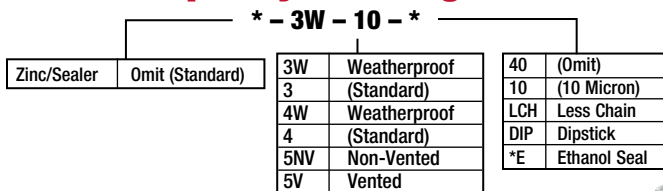
Assembly Ordering Code



*E	Ethanol Seal
BUNA	Rubber Gaskets
1.5 HN	1.5" High Neck
3 HN	3" High Neck
DIP	Specify Dipstick Length
10-32	Self Tapping Screws

Full, Add, Low, Marks Available
Custom Lengths available

Cap Only Ordering Code



Omit	3" 30 Mesh (Standard)
N	4" Nylon
3-100	3" 100 Mesh
6-30	6" 30 Mesh
6-100	6" 100 Mesh
8-30	8" 30 Mesh

*Special seal for ethanol available on 5, 5NV Caps (add E to suffix)

