



## LTM Series

Designed for ease of servicing.  
Access to tank interior is not necessary

### Specifications:

- Steel Zinc Plate Bushing 3, 5, 10, 11, 12 GPM
- Cast iron bushings 15 thru 200 GPM
- Perforated steel support tubes
- 100 mesh stainless steel pleated screen (standard)

### Options:

- No bypass or 3 & 5 P.S.I. bypass
- Custom screens available on request
- **Stainless nuts 100 pc. minimum**

## Dimensional Details



LTM-3, 5, 10,  
11 and 12

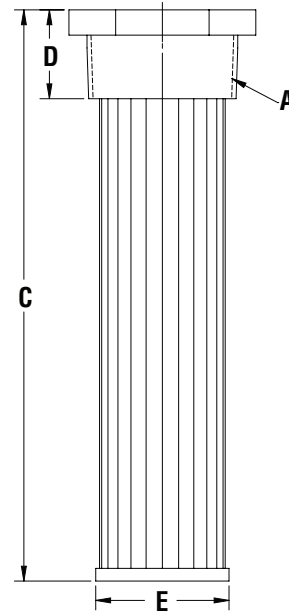
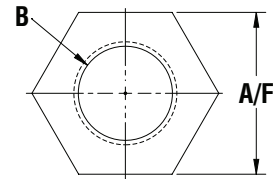


LTM-15  
thru 200

Optional Relief  
Valve Shown

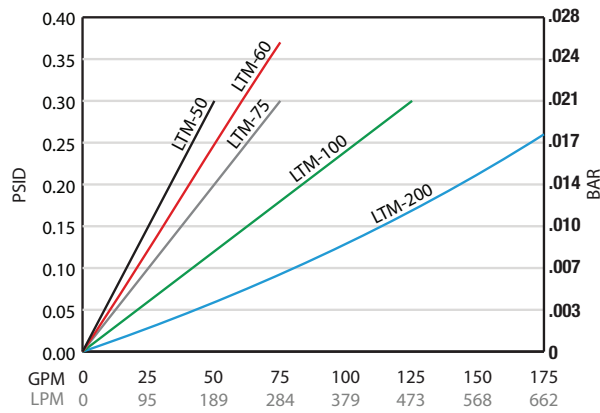
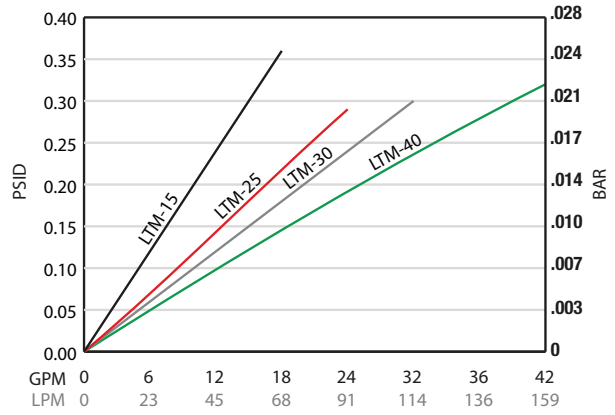
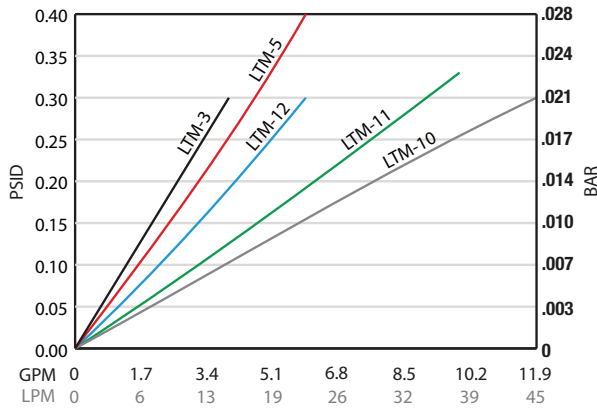
MODEL NUMBER	FLOW	A NPT	B NPT		C	D	E	A/F HEX DIA.	AREA IN <sup>2</sup> (CM) <sup>2</sup>
LTM-3	3 GPM 12 LPM	3/4"	3/8"	IN MM	4.00 101.6	0.98 25	0.79 20	1.18 30	30 (194)
LTM-5	5 GPM 20 LPM	1"	1/2"	IN MM	5.39 137	1.13 28	1.10 28	1.50 38	55 (355)
LTM-10	10 GPM 40 LPM	1-1/4"	3/4"	IN MM	7.48 190	1.22 31	1.42 36	1.81 46	90 (581)
LTM-11	15 GPM 60 LPM	1-1/4"	3/4"	IN MM	5.75 146	1.30 33	1.65 42	1.97 50	75 (484)
LTM-12	12 GPM 45 LPM	1-1/2"	3/4"	IN MM	4.00 101.5	1.30 33	1.66 42	1.97 50	48 (311)
LTM-15	18 GPM 72 LPM	1-1/2"	1"	IN MM	8.27 210	1.30 33	1.65 42	1.97 50	110 (710)
LTM-25	25 GPM 100 LPM	2"	1 1/4"	IN MM	10.00 254	1.30 33	2.13 54	2.60 66	175 (1129)
LTM-30	30 GPM 120 LPM	3"	1 1/4"	IN MM	10.24 260	1.69 43	3.07 78	2.60 66	265 (1709)
LTM-40	30 GPM 120 LPM	3"	1 1/2"	IN MM	10.24 260	1.69 43	3.07 78	2.60 66	265 (1709)
LTM-50	40 GPM 160 LPM	3"	2"	IN MM	10.24 260	1.69 43	3.07 78	3.23 82	265 (1709)
LTM-60	60 GPM 100 LPM	3"	2 1/2"	IN MM	10.24 260	2.01 51	3.07 78	3.54 90	265 (1709)
LTM-75	75 GPM 300 LPM	4"	2 1/2"	IN MM	9.69 246	1.81 46	3.78 96	4.65 118	300 (1935)
LTM-100	100 GPM 380 LPM	4"	3"	IN MM	11.30 287	1.81 46	3.78 96	4.65 118	355 (2290)
LTM-200	200 GPM 750 LPM	6"	4"	IN MM	12.44 316	2.28 58	5.71 145	0.06 1.44	860 (5547)

See Page 49a for WFN Series Weld Flanges



### Mounting Details:

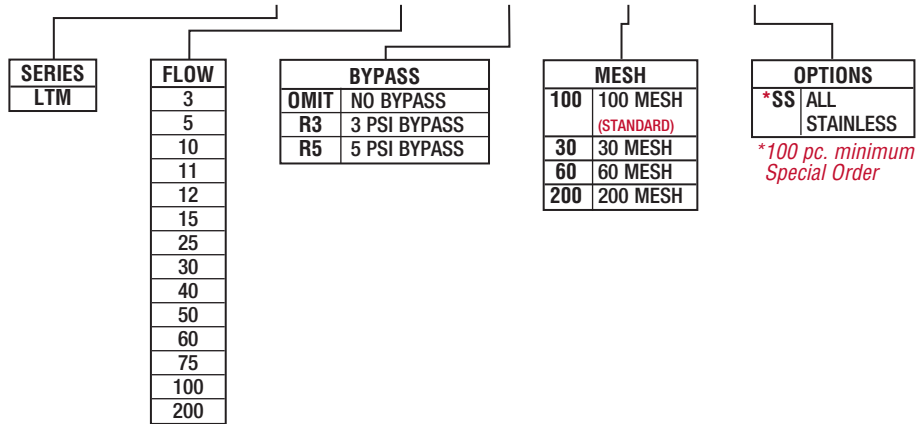
Mount through sidewall or through tank top and into standpipe. See page 48a for details.



Temperature 100° F Viscosity 150 SUS  
Average pressure drop through clean assembly

### Strainer Ordering Code

LTM - 15 - R3 - 100 -



See Technical Bulletin TB.FIL17.708, TB.FIL19.708, or further information at (Technical Data – www.lenzinc.com)