

American Wet Tank System

Models: A3500 and A4500

Also Includes: A3525, A3535, A3575, A35100-ST
A4525, A4535, A4575, A45100-ST

A3575 – A4575

75 Gallon Units

Requires Three Bracket Assemblies

Use Kit Number:

AMK-624-C/3 (Carbon Steel)

AMK-624-S/3 (Stainless)

A35100-ST – A45100-ST

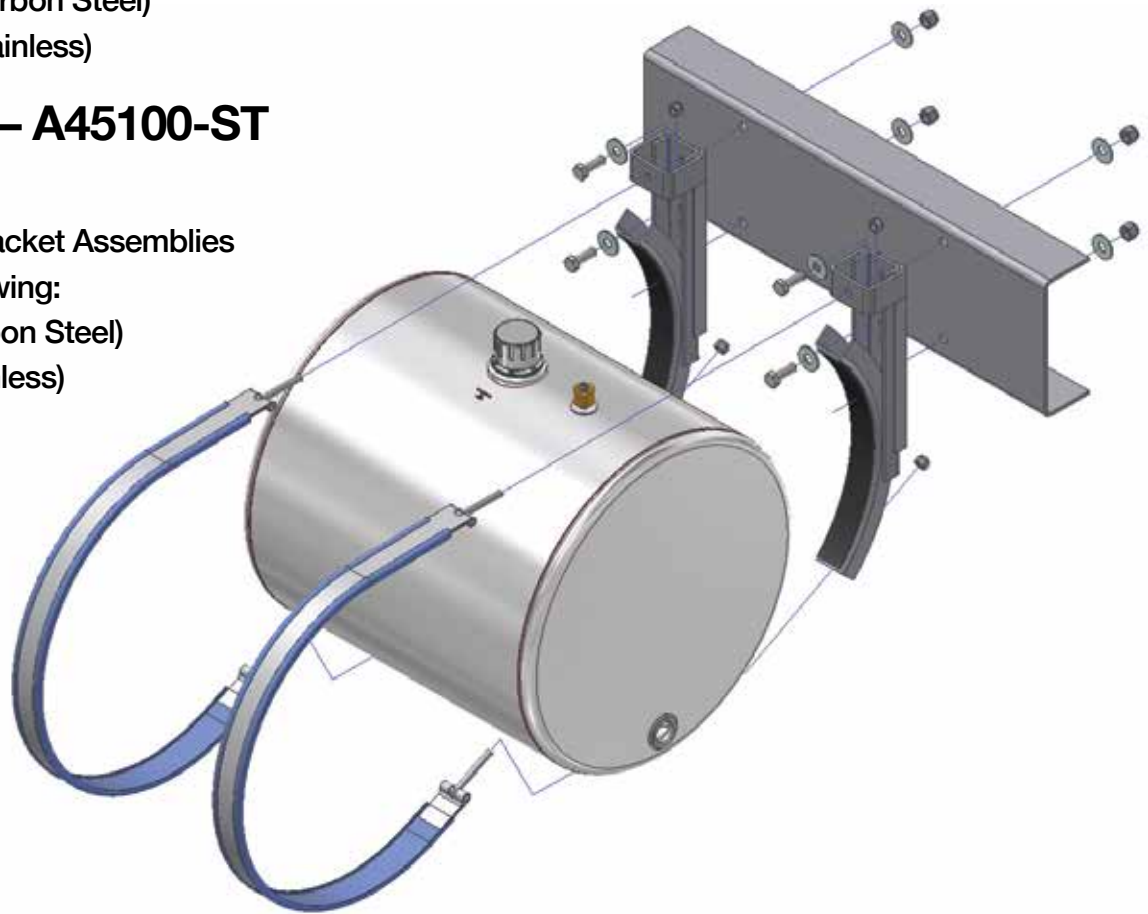
100 Gallon Units

Requires Four Bracket Assemblies

Use 2 of the following:

AMK-624-C (Carbon Steel)

AMK-624-S (Stainless)



American Wet Tank System

Models: A3500 and A4500

Mounting Kit Contents: Part Number AMK-624-C (carbon steel)
Part Number AMK-624-S (stainless steel)

Qty	Description
2	"J" brackets – powder coted, radius is rubber lined (affixed)
2	2" wide strap assemblies including four Nyloc nuts

Materials Required to Complete Installation:

Qty	Description
4	5/8" – grade 5 bolts (length determined by installer)
4	Nyloc Nuts – 5/8" - 11
8	5/8" washers

Pre-packaged Kit Includes:

Steel or aluminum tank assembly (25 gallon through 100 gallon) with three, 1¼" NPT ports (75 gallon have 1½" NPT ports), (100 gallon have 2" NPT ports), the 50 gallon and larger units include auxiliary breather vent in tank for increased air exchange; each is provided with a filler breather assembly including 40 micron filter breather cap (chain mounted) with nylon strainer basket and bayonet closure; all ports in each unit are internally diffused (except 100 gallon); one port plug provided; all steel parts are powder-coated black; saddle mount bracket and strap assemblies are rubber shielded.

Instructions:

1. Position the top of the cradle bracket flush with the truck frame rail.
2. Attach brackets to frame rail with at least (2) 5/8", grade 5 bolts (per bracket).

Note: Brackets should be placed within 2" from ends of tank, 75 gallon tanks require and extra bracket (and strap) placed on either side of the fill cap, at least 1/2" from weld. 100 gallon tanks require two extra brackets (and straps), spaced evenly and at least 1/2" from weld.

3. Place tank against brackets and firmly tighten nuts to straps (not more than 25 ft.lbs. of torque).
4. Install plumbing. All plumbing and fitting connections attached to tanks must be properly supported into same moving plane as the tank in order to keep plumbing and fittings from creating a metal fatigue fracture outside of port weld. We suggest using a hose support mount (which we offer).

Note: Filter/breather cap should be periodically cleaned or replaced to prevent plugging and possible system damage.